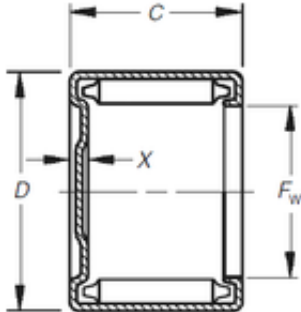




Jinan Excavator Parts Company

M-30161 Timken Needle Roller Bearings



Bearing No. M-30161

Size	47.625x57.15x25.4 mm
Bore Diameter	47,625 mm
Outer Diameter	57,15 mm
Width	25,4 mm
Fw	47,625 mm
D	57,15 mm
C	25,4 mm
C1	3,05 mm
Weight	0,132 Kg
Basic dynamic load rating (C)	56 kN
Basic static load rating (C0)	130 kN
(Grease) Lubrication Speed	2300 r/min

M-30161 Bearing 2D drawings and 3D CAD models