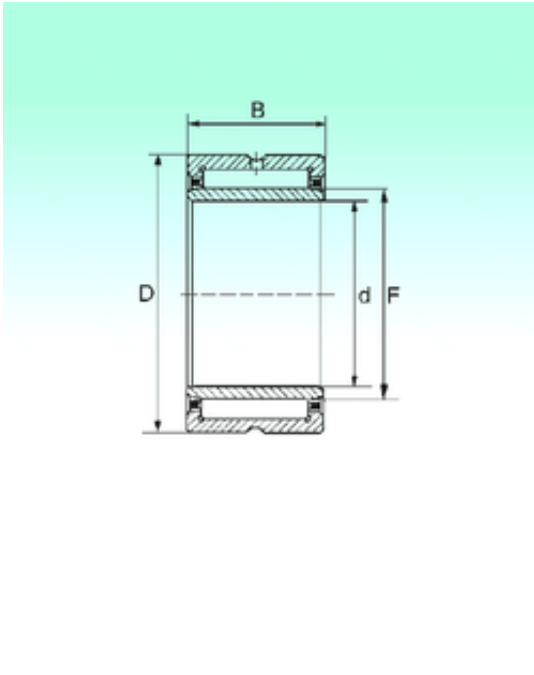




# Jinan Excavator Parts Company



NA 4919 Bearing 2D drawings and 3D CAD models

## NA 4919 NBS Needle Roller Bearings

Bearing No. NA 4919

Size	95x130x35 mm
Bore Diameter	95 mm
Outer Diameter	130 mm
Width	35 mm
d	95 mm
Fw	110 mm
D	130 mm
C	35 mm
Weight	1,371 Kg
Basic dynamic load rating (C)	116 kN
Basic static load rating (C0)	260 kN