

Efficiency Redefined: Exploring the Power of 6304 RS Deep Groove Radial Ball Bearings

Unveiling the Basics of 6304 RS Deep Groove Radial Ball Bearings

In the ever-evolving landscape of bearing technology, the [6304 RS Deep Groove Radial Ball Bearings](#) stand out as a fundamental component.

Introduction to 6304 RS Bearings

6304 RS bearings belong to the deep groove radial ball bearing category, characterized by their versatile design and deep raceway grooves. These bearings are meticulously engineered to facilitate smooth and efficient operation across different industrial sectors.

Fundamental Characteristics

Understanding the fundamental characteristics of 6304 RS bearings is crucial for appreciating their role in machinery. These bearings boast a single-row design, enhancing their load-bearing capacity and radial support. The incorporation of steel balls within the bearing contributes to its durability and high-performance capabilities.

Structure and Composition

The structure of 6304 RS bearings involves precision engineering, with an emphasis on reducing friction and minimizing heat generation during operation. The composition of quality materials ensures resilience in challenging environments, making them suitable for a wide range of applications.

Significance in Various Applications

The versatility of 6304 RS bearings makes them indispensable in numerous applications. From industrial machinery to automotive systems, these bearings play a pivotal role in ensuring smooth rotational motion and efficient power transmission. Their ability to withstand varying loads positions them as a cornerstone in the machinery efficiency paradigm.



6304 rs bearing

Mechanism and Performance

In the realm of bearings, understanding the mechanism that underlies the performance of components like the 6304 RS Deep Groove Radial Ball Bearings is paramount. The complexity of its mechanisms and elucidate the specific design features that enhance its efficiency.

Unraveling the Mechanism	6304 RS bearings operate on a sophisticated mechanism designed to optimize rotational motion and mitigate friction. The deep groove design, marked by precisely engineered raceway grooves, facilitates smooth and continuous rolling of steel balls. This mechanism minimizes resistance, ensuring efficient operation even under demanding conditions
Precision Engineering	At the heart of the mechanism lies precision engineering. The manufacturing process involves meticulous attention to detail, from the selection of materials to the final assembly. The precision in crafting each component contributes to the overall reliability and longevity of 6304 RS bearings.
Analyzing Design Features	The performance of 6304 RS bearings is significantly influenced by specific design features. These features work in harmony to redefine efficiency in various applications.
Single-Row Design	The single-row design of 6304 RS bearings is a defining feature that enhances their load-bearing capacity. This design choice ensures optimal radial support, making them suitable for a wide array of applications across industries.
Sealing Mechanism	Efficiency is further optimized through an effective sealing

mechanism. The "RS" designation signifies a contact seal on one side of the bearing, providing protection against contaminants and extending the bearing's service life. This feature is instrumental in maintaining the bearing's performance integrity over time.

Enhanced Efficiency in Action

As we delve into the mechanism and performance of 6304 RS Deep Groove Radial Ball Bearings, it becomes evident that these components are engineered for enhanced efficiency.

Applications Across Industries

In the ever-evolving landscape of bearings, the 6304 RS Deep Groove Radial Ball Bearings stand out as versatile components with applications that transcend various industries. The different applications of bearings demonstrate their importance in different fields.

Versatility Unleashed

Automotive Sector

One of the primary domains where 6304 RS bearings showcase their prowess is the automotive industry. These bearings find application in various vehicle components, including wheels, transmissions, and engines. The robust design and load-bearing capabilities make them integral for ensuring smooth and efficient vehicular operations.

Enhancing Automotive Performance

In the automotive sector, 6304 RS bearings contribute to improved vehicle performance by providing reliable support in critical components. The deep groove design minimizes friction, leading to reduced wear and tear, ultimately enhancing the overall efficiency of automotive systems.

Industrial Machinery

In the realm of industrial machinery, these bearings play a crucial role in supporting rotating shafts and minimizing friction during motion. Their ability to operate seamlessly under heavy loads and in challenging environments makes them indispensable in various manufacturing processes.

Manufacturing Precision

In precision manufacturing, such as CNC machining, the application of 6304 RS bearings ensures precise

and smooth operations. The bearings' design and sealing mechanisms contribute to maintaining the accuracy of machinery, leading to high-quality output.

Agricultural Equipment

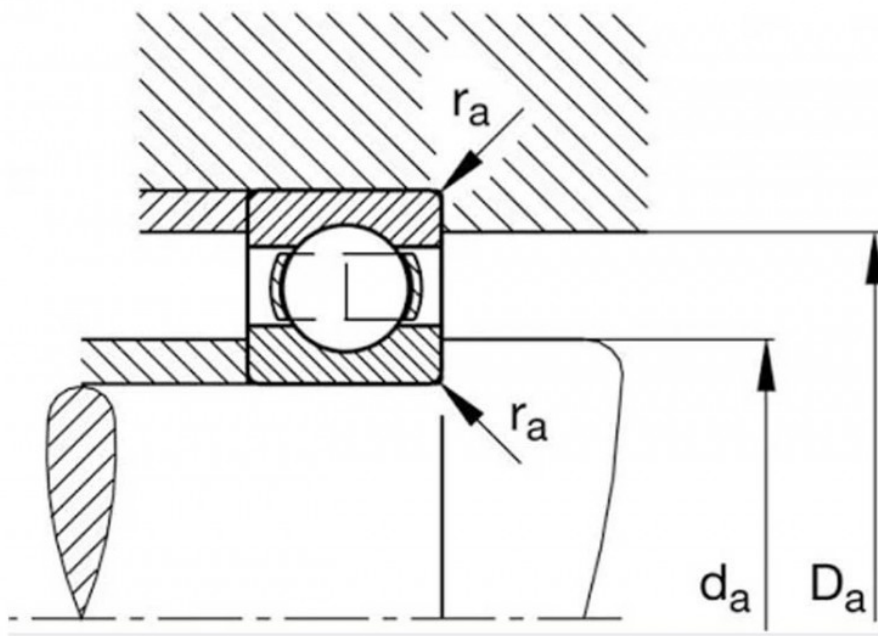
Agricultural machinery operates in diverse and demanding conditions. The resilience of 6304 RS bearings makes them well-suited for applications in agricultural equipment such as tractors and harvesting machines. These bearings provide reliable support in challenging environments, contributing to the efficiency of agricultural operations.

Harvesting Efficiency

In combine harvesters, 6304 RS bearings contribute to the efficient harvesting of crops. The bearings' ability to withstand varying loads and environmental conditions ensures the reliable performance of vital components, facilitating a smooth harvesting process.

Real-World Impact

As we explore the applications of 6304 RS Deep Groove Radial Ball Bearings across industries, their real-world impact becomes apparent. From enhancing automotive performance to enabling precision manufacturing and optimizing agricultural operations, these bearings redefine efficiency in diverse sectors.



6304 rs bearing

Advanced Technologies in 6304 RS Bearings

In the dynamic landscape of bearings, the 6304 RS Deep Groove Radial Ball Bearings emerge as not just mechanical components but as epitomes of advanced technologies. unravels the intricate details of the cutting-edge technologies integrated into the design of 6304 RS bearings, showcasing their role in redefining efficiency and performance.

Technological Marvels

Precision Engineering

Bold: Precision Engineering

6304 RS bearings are crafted with meticulous precision engineering, where every facet of their design is optimized for maximum efficiency. Precision in manufacturing ensures that these bearings exhibit consistent performance, minimizing deviations in critical dimensions and enhancing their reliability.

Sealing Mechanisms

Bold: Enhanced Sealing for Robust Performance

One of the technological highlights in 6304 RS bearings is the incorporation of advanced sealing mechanisms. These seals not only protect the internal components from contaminants but also contribute to the overall robustness of the bearing, making it suitable for diverse operating conditions.

Material Innovation

Next-Gen Materials

The materials used in crafting 6304 RS bearings represent a leap in innovation. Advanced alloys and heat treatment processes ensure enhanced durability and resistance to wear. This material innovation extends the lifespan of the bearings, contributing to prolonged and reliable performance.

Superior Performance Unveiled

As we delve into the advanced technologies within 6304 RS Deep Groove Radial Ball Bearings, their superior performance becomes apparent. Precision engineering, advanced sealing mechanisms, and innovative materials collectively elevate these bearings to new heights in the realm of efficiency and reliability.

Exploring 6304 RS Bearing Brands: A Comprehensive Comparison

Brand	Material	Sealing Mechanism	Precision Engineering	Applications
SKF	High-Quality Steel	Double Sealed	Advanced Precision	Industrial, Automotive
FAG	Robust Steel Construction	Single Lip Seals	Precision Manufacturing	Automotive, Heavy Duty
NSK	Advanced Alloys	Triple Sealed Design	Ultra-Precision	Aerospace, Industrial
NTN	Alloy Composites	Contact Seals	High Precision	Machinery, Agriculture
Timken	Next-Gen Materials	Shielded Ball Bearings	Precision Craftsmanship	Aerospace, Automotive
Koyo	Durable Steel Alloys	Double Contact Seals	Precision Engineered	Industrial, Agricultural

When it comes to 6304 RS bearings, various reputable brands offer a range of options to meet diverse needs. Let's delve into the differences among some prominent brands, including SKF, FAG, NSK, NTN, Timken, and Koyo.

SKF: High-Quality Steel for Industrial Prowess

SKF 6304 RS bearings are crafted from high-quality steel, ensuring durability and reliability. The double-sealed mechanism adds an extra layer of protection, making them suitable for a variety of industrial and automotive applications. Precision engineering by SKF enhances overall performance.

FAG: Robust Construction for Heavy-Duty Use

FAG prioritizes robust steel construction, making their 6304 RS bearings ideal for heavy-duty applications. Single lip seals contribute to effective sealing, ensuring optimal performance in automotive and heavy-duty scenarios. Precision manufacturing by FAG ensures consistent quality.

NSK: Aerospace-Grade Alloys for Precision

NSK takes a step further with advanced alloys in their 6304 RS bearings, suitable for aerospace and industrial applications. The triple-sealed design provides exceptional protection, and NSK's commitment to ultra-precision engineering sets them apart in demanding industries.

NTN: Alloy Composites for Versatility

NTN adopts alloy composites for their 6304 RS bearings, offering versatility across machinery and agriculture. Contact seals enhance sealing efficiency, making NTN bearings a reliable choice for various applications. High precision is a hallmark of NTN engineering.

Timken: Next-Gen Materials for Aerospace

Timken employs next-gen materials in their 6304 RS bearings, catering to aerospace and automotive needs. Shielded ball bearings contribute to the durability of Timken products. Precision craftsmanship ensures consistent performance in demanding environments.

Koyo: Durable Steel Alloys for Industrial Applications

Koyo focuses on durable steel alloys in their 6304 RS bearings, making them suitable for industrial and agricultural use. Double contact seals enhance sealing effectiveness, and Koyo's precision engineering ensures reliability in diverse applications.

In conclusion, the choice of a 6304 RS bearing brand depends on specific requirements. SKF and FAG are excellent for industrial and heavy-duty applications, while NSK and Timken shine in aerospace and precision-demanding industries. NTN and Koyo offer versatile solutions for machinery, agriculture, and industrial scenarios. Consider the specific needs of your application and budget range when selecting the ideal brand for your 6304 RS bearings.

Advanced Technologies in 6304 RS Bearings

In the ever-evolving landscape of bearing technology, the 6304 RS deep groove radial ball bearings stand out due to their incorporation of cutting-edge advancements.

Precision Engineering Enhanced by Nanotechnology	6304 RS bearings are at the forefront of precision engineering, with a notable integration of nanotechnology. Nanoscale features on the bearing surfaces contribute to reduced friction, allowing for smoother operation and enhanced energy efficiency. The application of
--	---

	nanotechnology in the manufacturing process ensures a high degree of accuracy and reliability.
Intelligent Sealing Mechanisms for Optimal Protection	One of the key advancements in 6304 RS bearings lies in the implementation of intelligent sealing mechanisms. These bearings feature advanced sealing technologies that go beyond traditional designs. Triple-sealed configurations, utilizing state-of-the-art materials, provide an impenetrable barrier against contaminants, ensuring the longevity of the bearing and minimizing the risk of premature failure in challenging environments.
Material Innovations for Increased Durability	The materials used in 6304 RS bearings undergo continuous innovation to meet the demands of modern applications. Advanced alloys and composite materials, exhibiting superior strength and durability, contribute to the bearings' extended lifespan. These materials are meticulously selected to withstand varying loads, temperatures, and environmental conditions, making 6304 RS bearings suitable for a wide range of industries.
Integration of IoT for Predictive Maintenance	In the era of Industry 4.0, 6304 RS bearings are embracing the Internet of Things (IoT) for predictive maintenance. Integrated sensors within the bearings collect real-time data on factors like temperature, vibration, and load. This data is then analyzed to predict potential issues, enabling proactive maintenance strategies. The implementation of IoT not only enhances the reliability of the bearings but also contributes to overall machinery efficiency.
Lubrication Technologies for Prolonged Performance	Efficient lubrication is crucial for the optimal functioning of bearings. 6304 RS bearings leverage state-of-the-art lubrication technologies to minimize friction and wear. These technologies include advanced lubricants with additives that enhance film strength, reduce frictional losses, and provide long-lasting protection against corrosion.

In conclusion, the 6304 RS deep groove radial ball bearings redefine efficiency through the integration of advanced technologies. From precision engineering with nanotechnology to intelligent sealing mechanisms, material innovations, IoT integration, and lubrication technologies, these bearings represent a pinnacle in bearing design.

Case Studies: Real-world Performance

Introduction

In the realm of deep groove radial ball bearings, the 6304 RS model has garnered attention for its exceptional performance in real-world applications.

Industrial Machinery Overhaul

An industrial facility specializing in heavy machinery underwent a comprehensive overhaul of its equipment, aiming to enhance operational efficiency. The existing ball bearings were replaced with 6304 RS deep groove radial ball bearings.

Performance Highlights

Enhanced Efficiency: The adoption of 6304 RS bearings resulted in a noticeable improvement in machinery efficiency. Reduced friction and increased load-bearing capabilities contributed to smoother operation and higher productivity.

Extended Lifespan: The advanced sealing mechanisms of 6304 RS bearings provided robust protection against contaminants. This, in turn, significantly extended the lifespan of the bearings, reducing the frequency of maintenance interventions.

Automotive Precision

A leading automotive manufacturer sought to optimize the performance of its assembly line. The focus was on minimizing downtime and ensuring precision in critical processes.

Performance Highlights

Precision Engineering: 6304 RS bearings, with their precision-engineered design, played a pivotal role in achieving the desired precision. The bearings contributed to the seamless movement of conveyor belts and robotic arms, ensuring accuracy in every automotive component's placement.

Reliability under Load: In areas with varying loads, the 6304 RS bearings showcased their reliability. From heavy chassis components to intricate electronic modules, the bearings maintained stability and consistent performance.

Aerospace Application

Aircraft components demand bearings that can withstand extreme conditions, including high altitudes, rapid temperature changes, and intense vibrations. A renowned aerospace engineering company integrated 6304 RS bearings into critical components.

Performance Highlights

Extreme Environment Resilience: The 6304 RS bearings demonstrated exceptional resilience in extreme environments. Their ability to withstand temperature variations and vibrations ensured the reliability of essential aerospace components, contributing to overall flight safety.

Reduced Maintenance Costs: The prolonged lifespan and durability of 6304 RS bearings translated into reduced maintenance costs for the aerospace industry. The need for frequent replacements was significantly diminished, aligning with the stringent safety standards of the sector.

Conclusion

These case studies underscore the real-world impact and performance of 6304 RS deep groove radial ball bearings. From industrial machinery optimization to automotive precision and aerospace applications, these bearings have consistently delivered efficiency, reliability, and cost-effectiveness.

Future Trends and Innovations

Introduction

As we delve into the exploration of 6304 RS Deep Groove Radial Ball Bearings, it's essential to not only understand their current capabilities but also anticipate the future trends and innovations within the bearing industry.

Emerging Trends in 6304 RS Bearings

Integration of Smart Technologies

In the coming years, we anticipate the integration of smart technologies into 6304 RS bearings. This includes the incorporation of sensors and IoT capabilities to enable real-time monitoring of bearing conditions. The ability to gather data on temperature, load, and performance will revolutionize predictive maintenance strategies.

Smart bearings with embedded sensors for proactive monitoring and data-driven maintenance.

Sustainable and Eco-friendly Materials

As environmental sustainability gains prominence across industries, the bearing sector is likely to witness a shift towards eco-friendly materials in the design and manufacturing of 6304 RS bearings. Innovations in materials, such as biodegradable lubricants and recycled alloys, will contribute to a more sustainable and greener future.

Eco-friendly bearing materials to align with global sustainability goals.

Nanotechnology for Enhanced Performance

Nanotechnology holds immense potential for enhancing the performance of 6304 RS bearings. By leveraging nanomaterials and coatings, manufacturers aim to reduce friction further, increase load-bearing capacities, and improve overall efficiency. These advancements will redefine the benchmarks for precision and reliability.

Nanocoatings and nanomaterials for superior bearing performance.

Anticipated Advancements in Technology

3D Printing for Customization

The evolution of 3D printing technology is expected to bring about a significant transformation in the production of 6304 RS bearings. This innovation will enable the customization of bearings based on specific industry requirements, leading to more efficient and tailored solutions for diverse applications.

Customized 3D-printed 6304 RS bearings for precise applications.

Artificial Intelligence (AI) in Bearing Design

The incorporation of AI algorithms in the design process will streamline and optimize the development of 6304 RS bearings. AI will analyze vast datasets, identify patterns, and propose design modifications for enhanced performance, reliability, and longevity.

AI-driven bearing design for unprecedented efficiency.

Conclusion

The future of 6304 RS Deep Groove Radial Ball Bearings promises exciting innovations, driven by technological advancements and industry demands. From smart bearings with real-time monitoring capabilities to eco-friendly materials and the application of nanotechnology, these trends and innovations will redefine the efficiency and capabilities of 6304 RS bearings in the years to come.



6304 rs bearing

Conclusion: Redefining Efficiency

Introduction

In our journey to explore the power and potential of 6304 RS Deep Groove Radial Ball Bearings, we've delved into the intricacies of their design, mechanisms, and applications.

Precision Engineering for Optimal Performance

The fundamental characteristic of 6304 RS bearings lies in their precision engineering. These bearings are crafted with meticulous attention to detail, ensuring optimal performance in various operating conditions. The precision design contributes to reduced friction, increased load-bearing capacities, and enhanced overall efficiency.

Precision engineering is the cornerstone of the efficiency redefined by 6304 RS bearings.

Versatility Across Industries

Our exploration has revealed the remarkable versatility of 6304 RS bearings across industries. From industrial machinery to automotive applications, these bearings have showcased their adaptability and reliability. Their ability to operate seamlessly in diverse environments positions them as indispensable components in numerous sectors.

RS bearings serve as efficient solutions across a wide spectrum of industries.

Innovative Technologies Driving Performance

The discussion on advanced technologies integrated into 6304 RS bearings highlights the ongoing innovations in the bearing industry. From smart technologies for real-time monitoring to the use of nanomaterials for superior performance, these innovations contribute to a paradigm shift in bearing capabilities.

Continuous innovation is propelling 6304 RS bearings into new realms of efficiency.

Emphasizing Efficiency Across Domains

Industrial Applications

In industrial settings, the efficiency of machinery is paramount for productivity. 6304 RS bearings, with their precision and reliability, contribute significantly to the smooth operation of industrial equipment. The reduction in friction and wear ensures prolonged machinery life and uninterrupted production processes.

6304 RS bearings redefine efficiency by enhancing industrial machinery performance.

Automotive Excellence

Within the automotive sector, the efficiency of components directly impacts vehicle performance. 6304 RS bearings, known for their durability and precision, play a crucial role in ensuring smooth and efficient operation in various automotive applications.

Insight: Automotive efficiency is elevated by the incorporation of 6304 RS bearings.

Conclusion: Redefining Efficiency

In conclusion, the exploration of 6304 RS Deep Groove Radial Ball Bearings has underscored their role as efficiency catalysts across industries. The precision engineering, versatility, and innovative technologies encapsulated in these bearings position them as indispensable components in the machinery of progress.

As we navigate the ever-evolving landscape of bearing technology, 6304 RS bearings stand as a testament to the continuous pursuit of efficiency and excellence. Whether in industrial machinery or automotive applications, these bearings redefine efficiency, setting new standards for performance, reliability, and longevity.

Stay Efficient, Stay Ahead

In a world where efficiency drives progress, the redefined efficiency of 6304 RS bearings offers a competitive edge. As industries evolve and technology advances, the journey towards efficiency continues. Stay tuned for the latest developments shaping the future of bearings and efficiency in the dynamic world of engineering and technology.

Frequently Asked Questions (FAQs)

Introduction

In the vast realm of bearings, the 6304 RS Deep Groove Radial Ball Bearings stand out as indispensable

components. Frequently Asked Questions (FAQs) surrounding these bearings addressed and answered?providing clarity and insights into their intricacies.

What sets 6304 RS bearings apart from other radial ball bearings?

Answer: 6304 RS bearings distinguish themselves through their deep groove design, which allows them to handle both radial and axial loads. The 'RS' indicates they are equipped with rubber seals, providing enhanced protection against contaminants and extending their service life.

What industries commonly use 6304 RS bearings?

Answer: 6304 RS bearings find applications across various industries, including industrial machinery, automotive, aerospace, and agriculture. Their versatility makes them suitable for a wide range of equipment and machinery.

How does the precision engineering of 6304 RS bearings contribute to efficiency?

Answer: Precision engineering in 6304 RS bearings ensures minimal friction, reduced noise, and optimal performance. The meticulous design enhances their efficiency, making them ideal for applications where precision is crucial.

Can 6304 RS bearings withstand harsh environmental conditions?

Answer: Yes, the rubber seals in 6304 RS bearings act as effective barriers against dust, moisture, and other contaminants. This feature makes them resilient in challenging environments, contributing to their longevity and reliability.

Are there specific maintenance requirements for 6304 RS bearings?

Answer: While 6304 RS bearings are designed for durability, regular maintenance is essential. Periodic lubrication and inspection ensure they continue to operate at peak efficiency and extend their overall lifespan.

How do innovative technologies play a role in 6304 RS bearings?

Answer: Advanced technologies, such as smart monitoring systems and nanomaterials, are integrated into the design of 6304 RS bearings. These innovations contribute to heightened performance, reliability, and efficiency in diverse applications.

Conclusion: Unlocking the Potential of 6304 RS Bearings

In addressing these FAQs, we've unveiled the multifaceted nature of 6304 RS Deep Groove Radial Ball Bearings. From their distinctive features to applications across industries, these bearings redefine efficiency in the world of machinery.

Understanding the intricacies of 6304 RS bearings empowers users to make informed decisions, ensuring these bearings meet the specific requirements of their applications. As technology continues to advance, the FAQs surrounding 6304 RS bearings will evolve, and this exploration sets the foundation for staying ahead in the dynamic landscape of bearing technology.